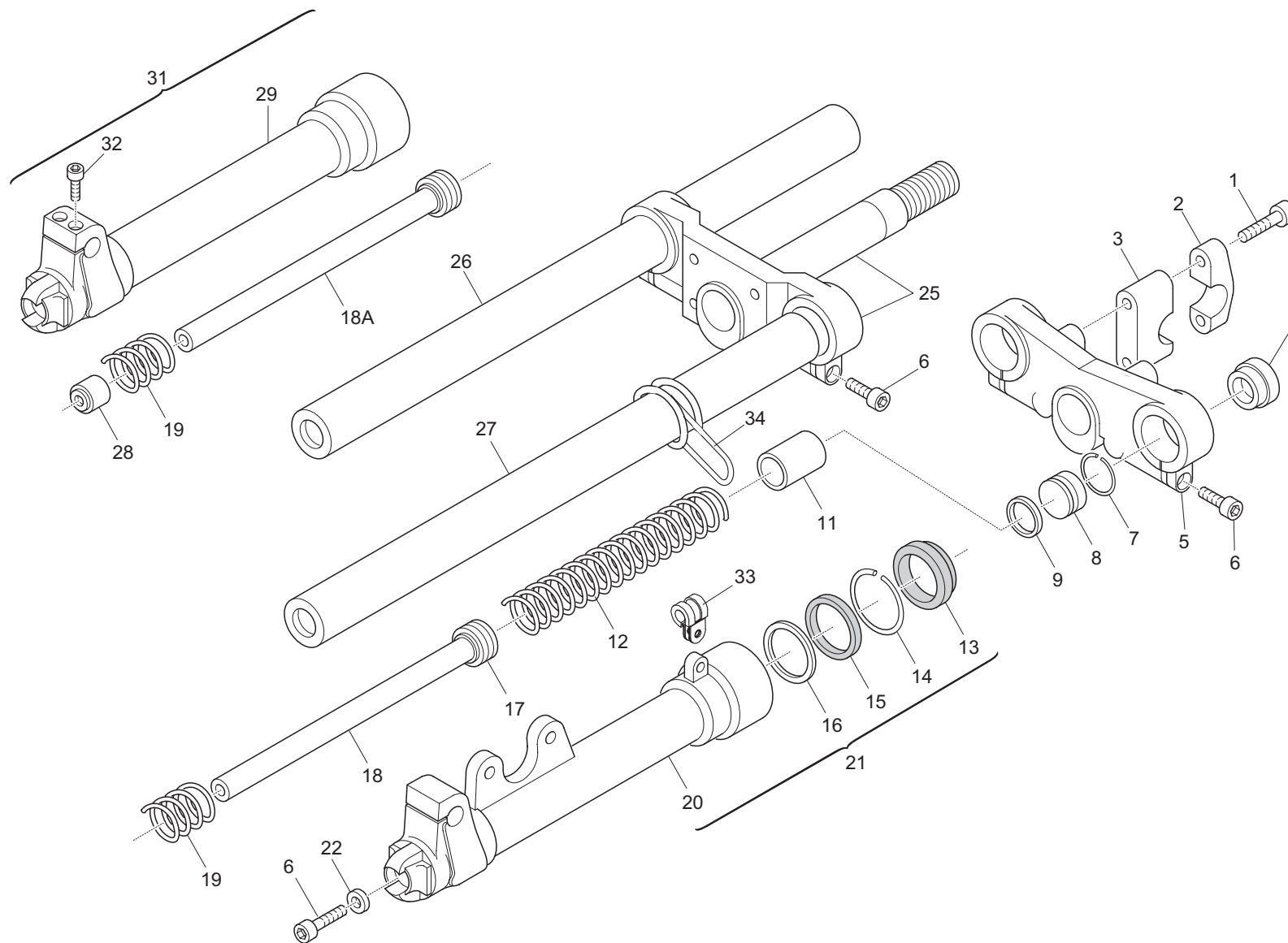


LEM
MOTOR

L.E.M. MOTOR S.R.L.

40069 Zola Predosa (Bo) ITALY - Via Gesso, 64/A
Tel. (051) 75.88.61 (2 linee r.a.) - Telefax (051) 75.10.52
www.lem-motor.com - E-mail: info@lem-motor.commod. **LX2 RACER H₂O**

Data: 26/06/2002



LEM
MOTOR

L.E.M. MOTOR S.R.L.

40069 Zola Predosa (Bo) ITALY - Via Gesso, 64/A
Tel. (051) 75.88.61 (2 linee r.a.) - Telefax (051) 75.10.52
www.lem-motor.com - E-mail: info@lem-motor.commod. LX2 RACER H₂O

Data: 26/06/2002

FIGURA REF.NBR.	CODICE CODE	DESCRIZIONE DESCRIPTION	Q.TÁ Q.TY	ANNO YEAR
	MAR520048AR	VITE TCE 6 x 25 SCREW	4	2001 - 2002
	MAR547325/A	ADESIVO GAMBA SX LEFT FORK LEG STICKER	1	2001 - 2002
	MAR547331/A	ADESIVO GAMBA DX RIGHT FORK LEG STICKER	1	2001 - 2002
1	MAR520043AR	VITE TCE 8 x 50 HANDLEBAR CLAMP BOLT	4	2001 - 2002
2	MAR505034A	CAVALLOTTO LAVORATO TOP HANDLEBAR CLAMP	2	2001 - 2002
3	MAR505033A	SOTTO CAVALLOTTO BOTTOM HANDLEBAR CLAMP	2	2001 - 2002
4	MAR532774	TAPPO COPRITUBO ø 32 GOMMA FORK RUBBER DUST CAP	2	2001 - 2002
5	MAR501483A	CROCIERA FORCELLA SUPERIORE TOP TRIPLE CLAMP	1	2001 - 2002
6	MAR520001	VITE TCE 8 x 30 PINCH BOLT	4	2001 - 2002
7	MAR523277	ANELLO DI FERMO SNAP RING	2	2001 - 2002
8	MAR504148/B	CORPO TAPPO ø 32 PLUG	2	2001 - 2002
9	MAR528084	O - RING SEAL	2	2001 - 2002
11	MAR518076	TUBO PRECARICO MOLLA PRELOAD SPACER	2	2001 - 2002
12	MAR5141214	MOLLA FORK SPRING	2	2001 - 2002
13	MAR533297	RASCHIA POLVERE DUST SEAL	2	2001 - 2002

LEM
MOTOR

L.E.M. MOTOR S.R.L.

40069 Zola Predosa (Bo) ITALY - Via Gesso, 64/A
Tel. (051) 75.88.61 (2 linee r.a.) - Telefax (051) 75.10.52
www.lem-motor.com - E-mail: info@lem-motor.commod. LX2 RACER H₂O

Data: 26/06/2002

FIGURA REF.NBR.	CODICE CODE	DESCRIZIONE DESCRIPTION	Q.TÁ Q.TY	ANNO YEAR
14	MAR523264	SEEGER SNAP RING	2	2001 - 2002
15	MAR528230	ANELLO DI TENUTA OIL SEAL	2	2001 - 2002
16	MAR522166AA	RONDELLA SPACER	2	2001 - 2002
17	MAR524157	SEGMENTO PISTONE DAMPING ROD BUSHING	1	2001 - 2002
18	MAR803936/A	PISTONE IDRAULICO COMPLETO DAMPING ROD LEFT COMPLETE	1	2001 - 2002
18A	MAR803938/A	PISTONE MECCANICO COMPLETO DAMPING ROD LEFT COMPLETE	1	2001 - 2002
19	MAR5141015	MOLLA FINE CORSA TOP OUT SPRING	2	2001 - 2002
20	MAR5031587A	GAMBALE SX LOWER FORK LEG L/S	1	2001 - 2002
21	MAR5031587A/R	GAMBALE SX COMPLETO COMPLETE FORK LEG L/S WITH OLI SEAL SET	1	2001 - 2002
22	MAR522225	RONDELLA DI TENUTA IN RAME SEALING WASHER	2	2001 - 2002
25	MAR7051113/A	CROCIERE INFERIORE CONCAVALLOTTO LOWER TRIPLE CLAMP AND STEM	1	2001 - 2002
26	MAR708242/R	CANNA DX TOP RIGHT FORK LEG	1	2001 - 2002
27	MAR708243/R	CANNA SX TOP LEFT FORK LEG	1	2001 - 2002
28	MAR512068	TAMPONE DI FONDO TOP OUT CONE	2	2001 - 2002
29	MAR5031589A	GAMBALE DX LOWER FORK LEG R/S	1	2001 - 2002



L.E.M. MOTOR S.R.L.

40069 Zola Predosa (Bo) ITALY - Via Gesso, 64/A
Tel. (051) 75.88.61 (2 linee r.a.) - Telefax (051) 75.10.52
www.lem-motor.com - E-mail: info@lem-motor.com

mod. LX2 RACER H₂O

Data: 26/06/2002

FIGURA REF.NBR.	CODICE CODE	DESCRIZIONE DESCRIPTION	Q.TÁ Q.TY	ANNO YEAR
31	MAR5031589A/R	GAMBALE DX COMPLETO COMPLETE FORK LEG R/S WITH OIL SEAL SET	1	2001 - 2002
32	MAR520023PN	VITE TEF 6 x 20 FRONT AXLE PINCH BOLT	2	2001 - 2002
33	0963500430/4F	PASSAFILO GUILDING - SLIT FORK	1	2001 - 2002
34	2024500430/40	MOLLA PASSAFILO CABLE GUIDE SPRING FOR FORK	1	2001 - 2002