

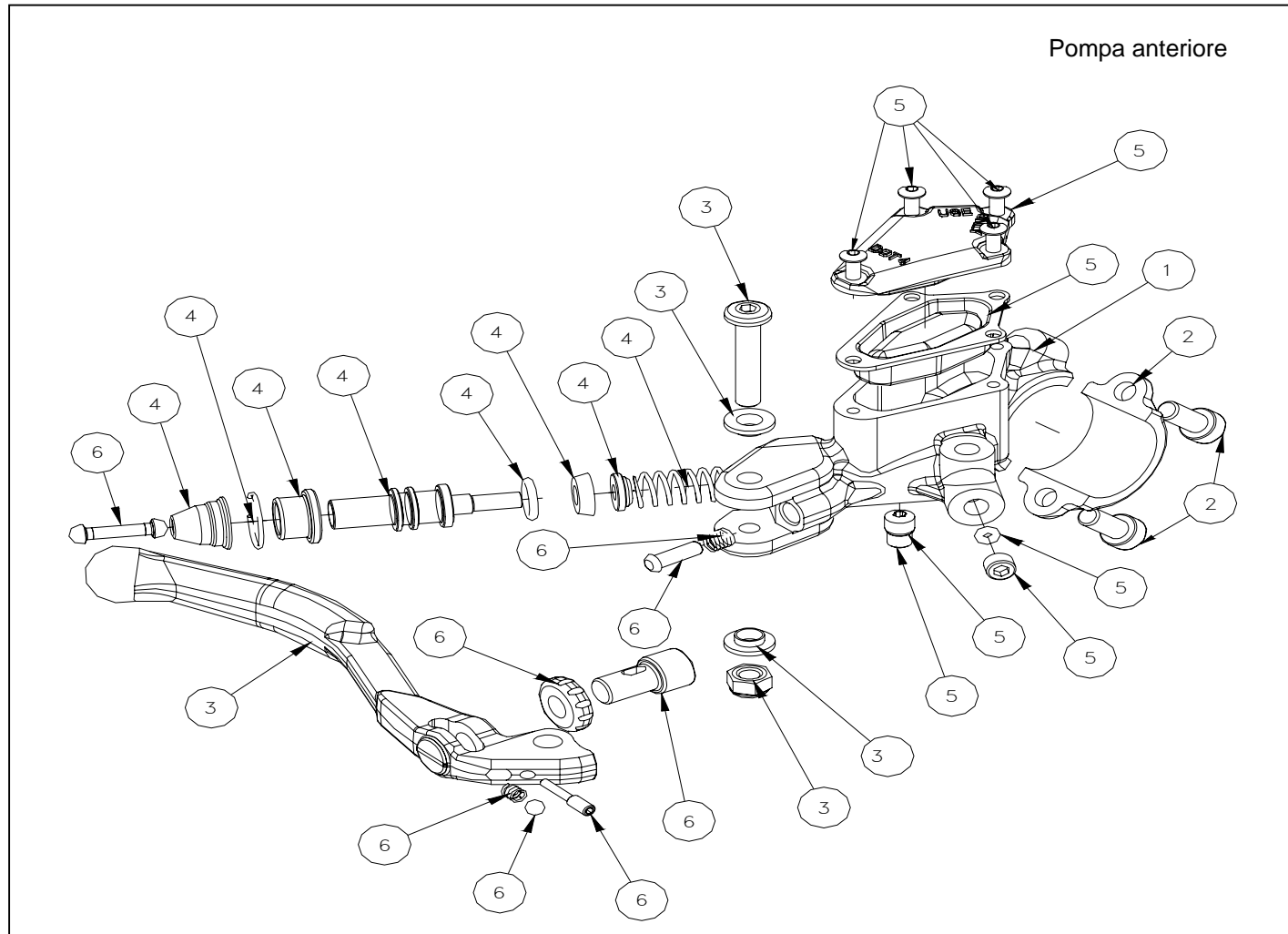


L.E.M. MOTOR S.R.L.
40069 Zola Predosa (Bo) ITALY - Via Gesso, 64/A
Tel. (051) 75.88.61 (2 linee r.a.) - Telefax (051) 75.10.52
www.lem-motor.com - E-mail: info@lem-motor.com

mod. Imp. Frenante RX65

01/01/2006

FIGURA REF.NBR.	CODICE CODE	DESCRIZIONE DESCRIPTION	Q.TÁ Q.TY	ANNO YEAR
1	2046600712/2	CORPO PINZA SINISTRO <i>LH CALIPER BODY</i>	1	2005/2006
2	2046600712/3	CORPO PINZA DESTRO <i>RH CALIPER BODY</i>	1	2005/2006
3	2046600712/6	KIT VITI E O.RING <i>O.RING/ SCREWS KIT</i>	1	2005/2006
4	2025000712/1	KIT PASTIGLIE PINZA ANT. E POST ORGANICHE <i>ORGANIC PADS KIT</i>	1	2005/2006
4	2046600712/1S	KIT PASTIGLIE PINZA ANT. E POST SINTERIZZATE <i>SINTERED PADS KIT</i>	1	2005/2006
5	2025000712/5	KIT PISTONI PINZA <i>CALIPER PISTONS KIT</i>	1	2005/2006
6	2025000712/4	MOLLA RICHIAMO PASTIGLIE	1	2005/2006



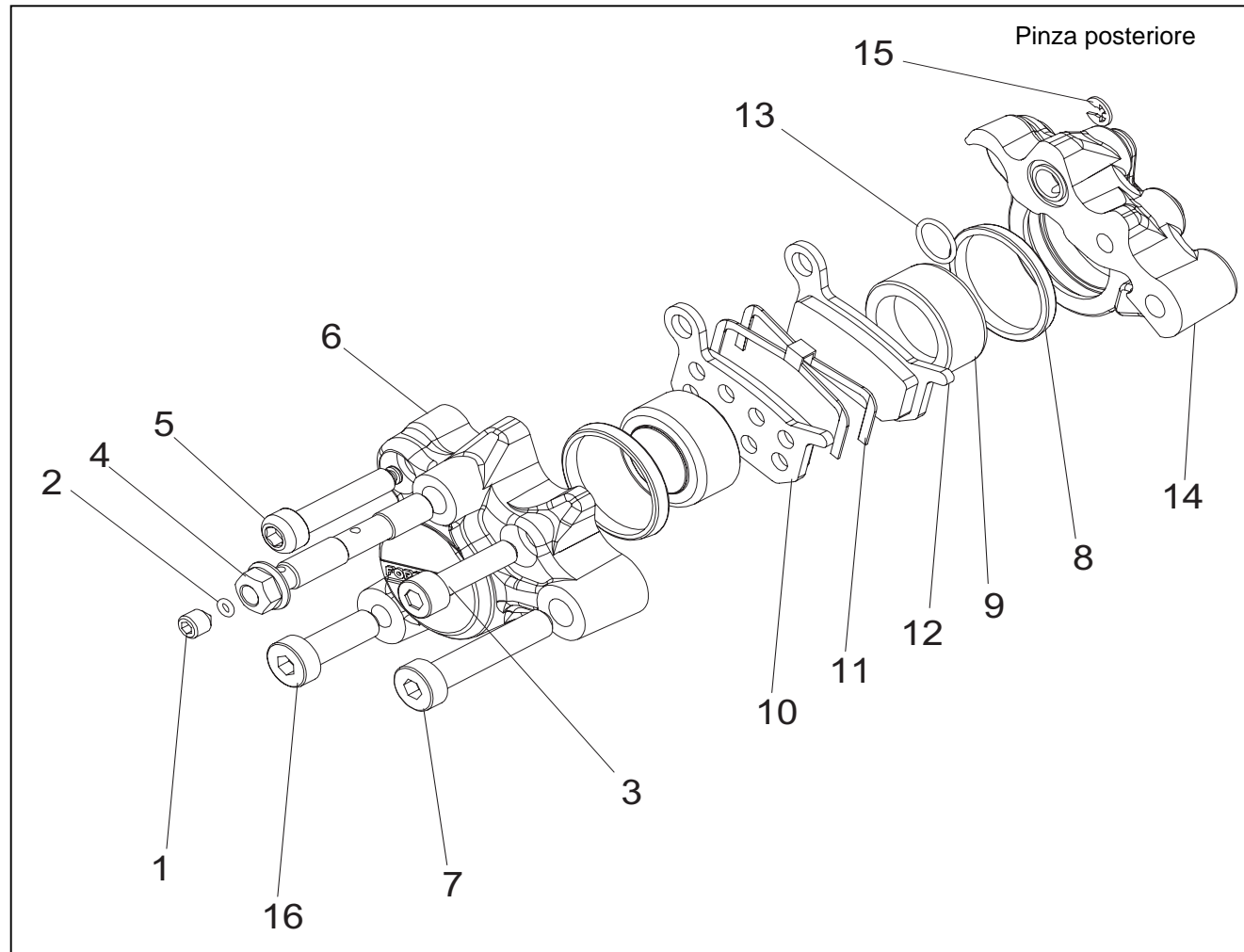


L.E.M. MOTOR S.R.L.
40069 Zola Predosa (Bo) ITALY - Via Gesso, 64/A
Tel. (051) 75.88.61 (2 linee r.a.) - Telefax (051) 75.10.52
www.lem-motor.com - E-mail: info@lem-motor.com

mod. Imp. Frenante RX65

01/01/2006

FIGURA REF.NBR.	CODICE CODE	DESCRIZIONE DESCRIPTION	Q.TÁ Q.TY	ANNO YEAR
1	2045000711/7	CORPO POMPA DESTRO Ø 11 <i>RH MASTER CYLINDER Ø 11</i>	1	2005/2006
2	2025000711/4	COLLARINO CON VITI <i>CLAMP AND SCREWS</i>	1	2005/2006
3	2025000711/5	KIT LEVA PER POMPA ANTERIORE <i>BRAKE LEVER KIT</i>	1	2005/2006
4	2045000711/8	KIT PISTONE POMPA ANTERIORE Ø 11 <i>PISTON KIT Ø 11</i>	1	2005/2006
5	2025000711/9	KIT SERBATOIO PER POMPA ANTERIORE <i>RESERVOIR KIT</i>	1	2005/2006
6	2025000711/6	KIT REGOLAZIONE LEVA ANTERIORE <i>ADJUSTAMENT LEVER KIT</i>	1	2005/2006





L.E.M. MOTOR S.R.L.
40069 Zola Predosa (Bo) ITALY - Via Gesso, 64/A
Tel. (051) 75.88.61 (2 linee r.a.) - Telefax (051) 75.10.52
www.lem-motor.com - E-mail: info@lem-motor.com

mod. Imp. Frenante RX65

01/01/2006

FIGURA REF.NBR.	CODICE CODE	DESCRIZIONE DESCRIPTION	Q.TÁ Q.TY	ANNO YEAR
1	2025000712/6	KIT VITI E O-RING <i>O-RING AND SCREW KIT</i>	1	2003-2006
2	2025000712/6	VEDI FIG. 1 <i>SEE REF NBR. 1</i>	1	2003-2006
3	2025000712/6	VEDI FIG. 1 <i>SEE REF NBR. 1</i>	1	2003-2006
4	2025000712/6	VEDI FIG. 1 <i>SEE REF NBR. 1</i>	1	2003-2006
5	2025000712/6	VEDI FIG. 1 <i>SEE REF NBR. 1</i>	1	2003-2006
6	2025000722/3	CORPO PINZA DX <i>R/S BRAKE PLIERS PART</i>	1	2003-2006
7	2025000712/6	VEDI FIG. 1 <i>SEE REF NBR. 1</i>	1	2003-2006
8	2025000712/5	KIT PISTONI <i>PISTON KIT</i>	1	2003-2006
9	2025000712/5	VEDI FIG. 8 <i>SEE REF. NBR. 8</i>	1	2003-2006
10	2025000712/1	KIT PASTIGLIE <i>PRAKE PADS KIT</i>	1	2003-2006
11	2025000712/4	MOLLA RICHIAMO PASTIGLIE <i>BRAKE PADS RECAL SPRING</i>	1	2003-2006
12	2025000712/1	VEDI FIG. 10 <i>SEE REF. NBR. 10</i>	1	2003-2006
13	2025000712/6	VEDI FIG. 1 <i>SEE REF NBR. 1</i>	1	2003-2006
14	2025000722/2	CORPO PINZA SX <i>L/S BRAKE PLIERS PART</i>	1	2003-2006
15	2025000712/1	VEDI FIG. 10 <i>SEE REF. NBR. 10</i>	1	2003-2006

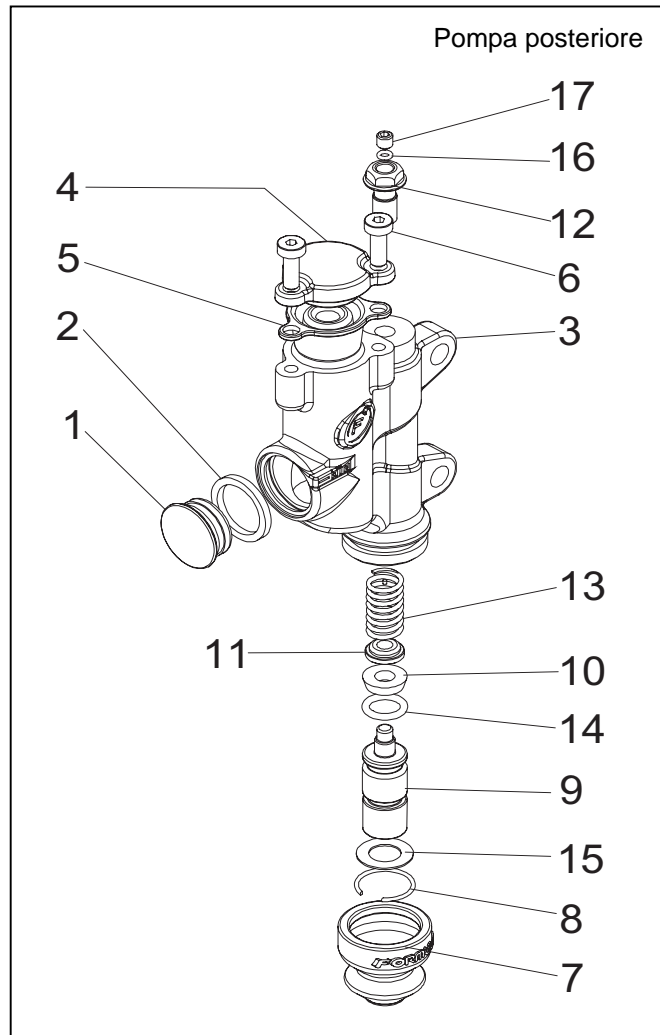


L.E.M. MOTOR S.R.L.
40069 Zola Predosa (Bo) ITALY - Via Gesso, 64/A
Tel. (051) 75.88.61 (2 linee r.a.) - Telefax (051) 75.10.52
www.lem-motor.com - E-mail: info@lem-motor.com

mod. Imp. Frenante RX65

01/01/2006

FIGURA	CODICE	DESCRIZIONE	Q.TÁ	ANNO
REF.NBR.	CODE	DESCRIPTION	Q.TY	YEAR
16	2025000712/6	VEDI FIG. 1 SEE REF NBR. 1	1	2003-2006





L.E.M. MOTOR S.R.L.
40069 Zola Predosa (Bo) ITALY - Via Gesso, 64/A
Tel. (051) 75.88.61 (2 linee r.a.) - Telefax (051) 75.10.52
www.lem-motor.com - E-mail: info@lem-motor.com

mod. Imp. Frenante RX65

01/01/2006

FIGURA REF.NBR.	CODICE CODE	DESCRIZIONE DESCRIPTION	Q.TÁ Q.TY	ANNO YEAR
1	2025000721/9	KIT SERBATOIO POMPA POSTERIORE <i>RESERVOIR KIT</i>	1	2003-2006
2	2025000721/9	VEDI FIG. 1 <i>SEE REF. NBR. 1</i>	1	2003-2006
3	2025000721/7	CORPO POMPA POSTERIORE <i>REAR MASTER CYLINDER BODY</i>	1	2003-2006
4	2025000721/9	VEDI FIG. 1 <i>SEE REF. NBR. 1</i>	1	2003-2006
5	2025000721/9	VEDI FIG. 1 <i>SEE REF. NBR. 1</i>	1	2003-2006
6	2025000721/9	VEDI FIG. 1 <i>SEE REF. NBR. 1</i>	1	2003-2006
7	2025000721/8	KIT PISTONE PER POMPA POSTERIORE <i>PISTON KIT</i>	1	2003-2006
8	2025000721/8	VEDI FIG. 7 <i>SEE REF. NBR. 7</i>	1	2003-2006
9	2025000721/8	VEDI FIG. 7 <i>SEE REF. NBR. 7</i>	1	2003-2006
10	2025000721/8	VEDI FIG. 7 <i>SEE REF. NBR. 7</i>	1	2003-2006
11	2025000721/8	VEDI FIG. 7 <i>SEE REF. NBR. 7</i>	1	2003-2006
12	2025000721/4	KIT VITE FISSAGGIO TUBO PER POMPA POSTERIORE <i>FITTING SCREWS TUBE KIT</i>	1	2003-2006
13	2025000721/8	VEDI FIG. 7 <i>SEE REF. NBR. 7</i>	1	2003-2006
14	2025000721/8	VEDI FIG. 7 <i>SEE REF. NBR. 7</i>	1	2003-2006
15	2025000721/8	VEDI FIG. 7 <i>SEE REF. NBR. 7</i>	1	2003-2006



L.E.M. MOTOR S.R.L.
40069 Zola Predosa (Bo) ITALY - Via Gesso, 64/A
Tel. (051) 75.88.61 (2 linee r.a.) - Telefax (051) 75.10.52
www.lem-motor.com - E-mail: info@lem-motor.com

mod. Imp. Frenante RX65

01/01/2006

FIGURA	CODICE	DESCRIZIONE	Q.TÁ	ANNO
REF.NBR.	CODE	DESCRIPTION	Q.TY	YEAR
16	2025000721/4	VEDI FIG. 12 SEE REF. NBR. 12	1	2003-2006
17	2025000721/4	VEDI FIG. 12 SEE REF. NBR. 12	1	2003-2006