



L.E.M. MOTOR S.R.L.
40069 Zola Predosa (Bo) ITALY - Via Gesso, 64/A
Tel. (051) 75.88.61 (2 linee r.a.) - Telefax (051) 75.10.52
www.lem-motor.com - E-mail: info@lem-motor.com

mod. Impianto frenante

01/12/2006

| FIGURA REF.NBR. | CODICE CODE | DESCRIZIONE | DESCRIPTION | Q.TÁ Q.TY | ANNO YEAR |
|--------------------|----------------|---|--------------------------|--------------|--------------|
| 1 | 2025000712/6 | KIT VITI E O-RING ART.FM40021-10 | O-RING AND SCREW KIT | 1 | 2003-2007 |
| 2 | 2025000712/6 | VEDI FIG. 1 | SEE REF NBR. 1 | 1 | 2003-2007 |
| 3 | 2025000712/6 | VEDI FIG. 1 | SEE REF NBR. 1 | 1 | 2003-2007 |
| 4 | 2025000712/6 | VEDI FIG. 1 | SEE REF NBR. 1 | 1 | 2003-2007 |
| 5 | 2025000712/2 | CORPO SX PINZA ANTERIORE ART.FM-C007-00 | L/S FRONT CALIPER BODY | 1 | 2003-2007 |
| 6 | 2025000712/6 | VEDI FIG. 1 | SEE REF NBR. 1 | 1 | 2003-2007 |
| 7 | 2025000712/6 | VEDI FIG. 1 | SEE REF NBR. 1 | 1 | 2003-2007 |
| 8 | 2025000712/5 | KIT PISTONI ART.FM40022-10 | FRONT CALIPER PISTON KIT | 1 | 2003-2007 |
| 9 | 2025000712/5 | VEDI FIG. 8 <i>SEE REF. NBR. 8</i> | | 1 | 2003-2007 |
| 10 | 2025000712/1 | KIT PASTIGLIE PINZE IDR. ART.FM10003-10 | BRAKE PADS KIT | 1 | 2003-2007 |
| 11 | 2025000712/4 | MOLLA RICHIAMO PASTIGLIE ART.FD-M023-00 | BRAKE PADS SPRING | 1 | 2003-2007 |
| 12 | 2025000712/1 | VEDI FIG. 10 | SEE REF NBR. 10 | 1 | 2003-2007 |
| 13 | 2025000712/3 | CORPO DX PINZA ANTERIORE ART.FM-C008-00 | R/S FRONT CALIPER BODY | 1 | 2003-2007 |
| 14 | 2025000712/6 | VEDI FIG. 1 | SEE REF NBR. 1 | 1 | 2003-2007 |
| 15 | 2025000712/1 | VEDI FIG. 10 | SEE REF NBR. 10 | 1 | 2003-2007 |

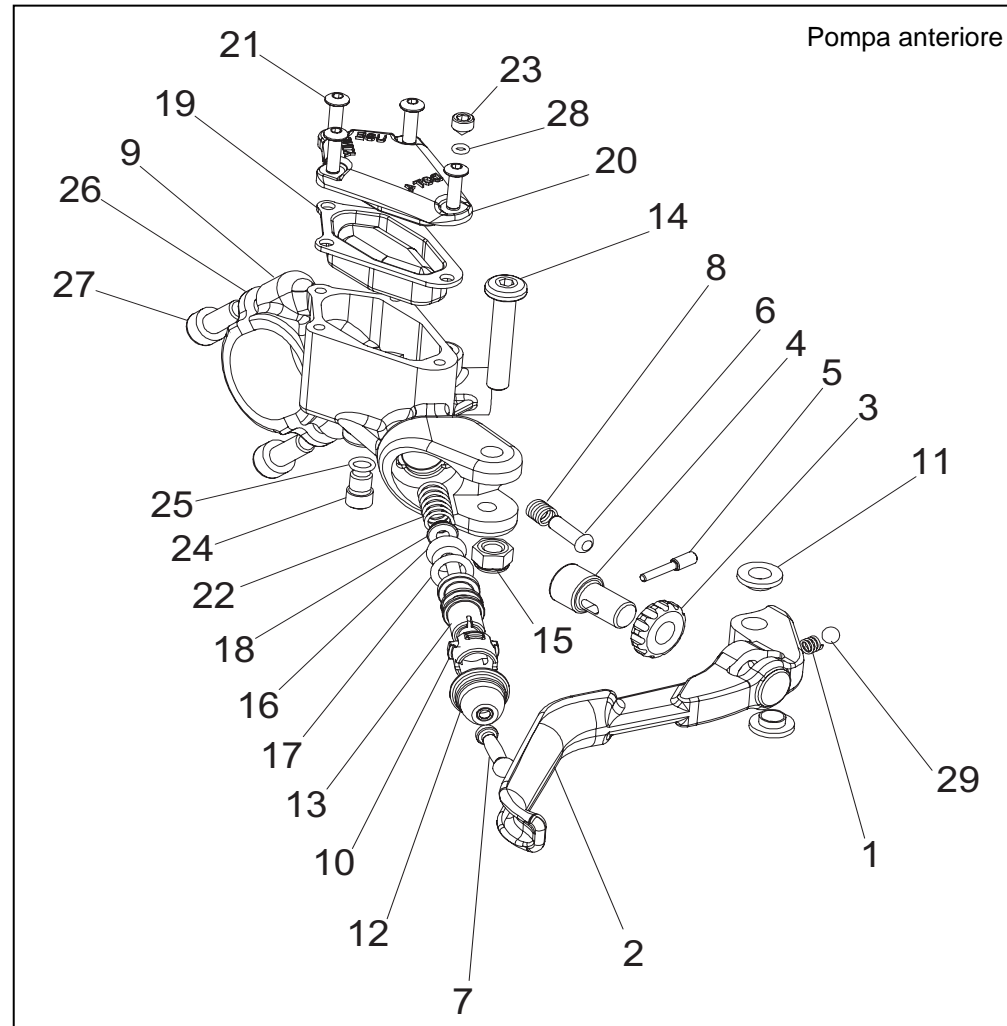


L.E.M. MOTOR S.R.L.
40069 Zola Predosa (Bo) ITALY - Via Gesso, 64/A
Tel. (051) 75.88.61 (2 linee r.a.) - Telefax (051) 75.10.52
www.lem-motor.com - E-mail: info@lem-motor.com

mod. **Impianto frenante**

01/12/2006

| FIGURA REF.NBR. | CODICE CODE | DESCRIZIONE | DESCRIPTION | Q.TÁ Q.TY | ANNO YEAR |
|--------------------|----------------|-------------|----------------|--------------|--------------|
| 16 | 2025000712/6 | VEDI FIG. 1 | SEE REF NBR. 1 | 1 | 2003-2007 |





L.E.M. MOTOR S.R.L.
40069 Zola Predosa (Bo) ITALY - Via Gesso, 64/A
Tel. (051) 75.88.61 (2 linee r.a.) - Telefax (051) 75.10.52
www.lem-motor.com - E-mail: info@lem-motor.com

mod. Impianto frenante

01/12/2006

| FIGURA REF.NBR. | CODICE CODE | DESCRIZIONE | DESCRIPTION | Q.TÁ Q.TY | ANNO YEAR |
|--------------------|----------------|--|----------------------------|--------------|--------------|
| 1 | 2025000711/6 | KIT REGOLAZ. LEVA FRENO ART.FD40038-20 | ADJUSTAMENT LEVER KIT | 1 | 2003-2007 |
| 2 | 2025000711/5 | KIT LEVA FRENO POMPA ANT. ART.FM40028-20 | BRAKE LEVER KIT | 1 | 2003-2007 |
| 3 | 2025000711/6 | VEDI FIG. 1 | SEE REF NBR. 1 | 1 | 2003-2007 |
| 4 | 2025000711/6 | VEDI FIG. 1 | SEE REF NBR. 1 | 1 | 2003-2007 |
| 5 | 2025000711/6 | VEDI FIG. 1 | SEE REF NBR. 1 | 1 | 2003-2007 |
| 6 | 2025000711/6 | VEDI FIG. 1 | SEE REF NBR. 1 | 1 | 2003-2007 |
| 7 | 2025000711/6 | VEDI FIG. 1 | SEE REF NBR. 1 | 1 | 2003-2007 |
| 8 | 2025000711/6 | VEDI FIG. 1 | SEE REF NBR. 1 | 1 | 2003-2007 |
| 9 | 2045000711/7 | CORPO POMPA ANTERIORE ART. FM-C029-00 | FRONT MASTER CYLINDER BODY | 1 | 2004-2007 |
| 10 | 2045000711/8 | KIT PISTONE POMPA ANT. ART. FM40026-20 | FRONT PISTON KIT D.11 | 1 | 2004-2007 |
| 11 | 2025000711/5 | VEDI FIG. 2 | SEE REF. NBR. 2 | 1 | 2003-2007 |
| 12 | 2045000711/8 | VEDI FIG. 10 | SEE REF NBR. 10 | 1 | 2004-2007 |
| 13 | 2045000711/8 | VEDI FIG. 10 | SEE REF NBR. 10 | 1 | 2004-2007 |
| 14 | 2025000711/5 | VEDI FIG. 2 | SEE REF. NBR. 2 | 1 | 2003-2007 |
| 15 | 2025000711/5 | VEDI FIG. 2 | SEE REF. NBR. 2 | 1 | 2003-2007 |

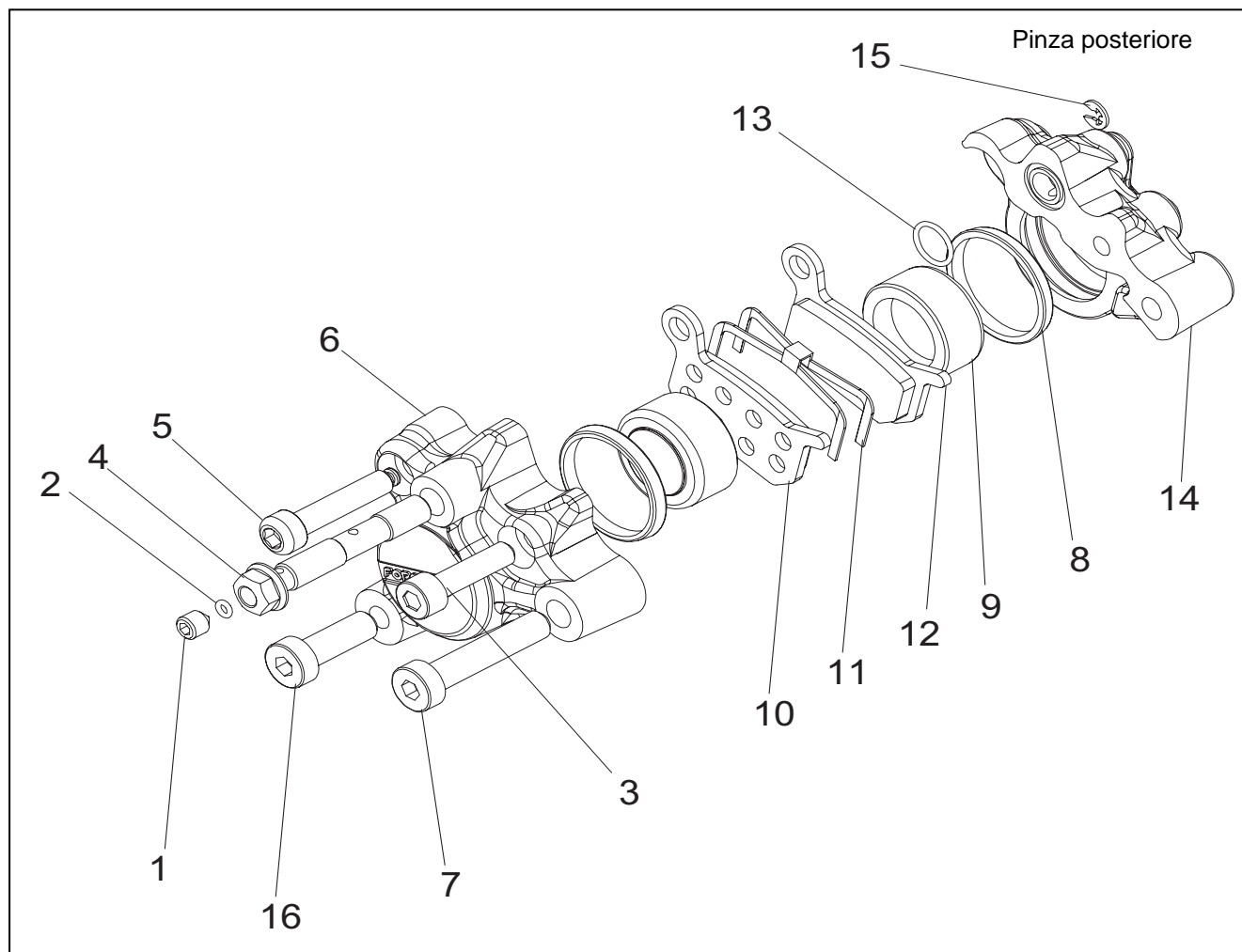


L.E.M. MOTOR S.R.L.
40069 Zola Predosa (Bo) ITALY - Via Gesso, 64/A
Tel. (051) 75.88.61 (2 linee r.a.) - Telefax (051) 75.10.52
www.lem-motor.com - E-mail: info@lem-motor.com

mod. Impianto frenante

01/12/2006

| FIGURA REF.NBR. | CODICE CODE | DESCRIZIONE | DESCRIPTION | Q.TÁ Q.TY | ANNO YEAR |
|--------------------|----------------|--|---------------------|--------------|--------------|
| 16 | 2045000711/8 | VEDI FIG. 10 | SEE REF. NBR. 10 | 1 | 2004-2007 |
| 17 | 2045000711/8 | VEDI FIG. 10 | SEE REF. NBR. 10 | 1 | 2004-2007 |
| 18 | 2045000711/8 | VEDI FIG. 10 | SEE REF. NBR. 10 | 1 | 2004-2007 |
| 19 | 2025000711/9 | KIT SERBATOIO POMPA ANT. ART. FM40039-20 | FRONT RESERVIOR KIT | 1 | 2003-2007 |
| 20 | 2025000711/9 | VEDI FIG. 19 | SEE REF. NBR. 19 | 1 | 2003-2007 |
| 21 | 2025000711/9 | VEDI FIG. 19 | SEE REF. NBR. 19 | 1 | 2003-2007 |
| 22 | 2045000711/8 | VEDI FIG. 10 | SEE REF. NBR. 10 | 1 | 2004-2007 |
| 23 | 2025000711/9 | VEDI FIG. 19 | SEE REF. NBR. 19 | 1 | 2003-2007 |
| 24 | 2025000711/9 | VEDI FIG. 19 | SEE REF. NBR. 19 | 1 | 2003-2007 |
| 25 | 2025000711/9 | VEDI FIG. 19 | SEE REF. NBR. 19 | 1 | 2003-2007 |
| 26 | 2025000711/4 | KIT COLLARINO CON VITI ART. FM40021-20 | CLAMP AND SCREWS | 1 | 2003-2007 |
| 27 | 2025000711/4 | VEDI FIG. 26 | SEE REF. NBR. 26 | 1 | 2003-2007 |
| 28 | 2025000711/9 | VEDI FIG. 19 | SEE REF. NBR. 19 | 1 | 2003-2007 |
| 29 | 2025000711/6 | VEDI FIG. 1 | SEE REF NBR. 1 | 1 | 2003-2007 |





L.E.M. MOTOR S.R.L.
40069 Zola Predosa (Bo) ITALY - Via Gesso, 64/A
Tel. (051) 75.88.61 (2 linee r.a.) - Telefax (051) 75.10.52
www.lem-motor.com - E-mail: info@lem-motor.com

mod. Impianto frenante

01/12/2006

| FIGURA REF.NBR. | CODICE CODE | DESCRIZIONE | DESCRIPTION | Q.TÁ Q.TY | ANNO YEAR |
|--------------------|----------------|--|--------------------------|--------------|--------------|
| 1 | 2025000712/6 | KIT VITI E O-RING ART.FM40021-10 | O-RING AND SCREW KIT | 1 | 2003-2007 |
| 2 | 2025000712/6 | VEDI FIG. 1 | SEE REF NBR. 1 | 1 | 2003-2007 |
| 3 | 2025000712/6 | VEDI FIG. 1 | SEE REF NBR. 1 | 1 | 2003-2007 |
| 4 | 2025000712/6 | VEDI FIG. 1 | SEE REF NBR. 1 | 1 | 2003-2007 |
| 5 | 2025000712/6 | VEDI FIG. 1 | SEE REF NBR. 1 | 1 | 2003-2007 |
| 6 | 2025000722/3 | CORPO DX PINZA POSTERIORE ART.FM-C010-00 | R/S REAR CALIPER BODY | 1 | 2003-2007 |
| 7 | 2025000712/6 | VEDI FIG. 1 | SEE REF NBR. 1 | 1 | 2003-2007 |
| 8 | 2025000712/5 | KIT PISTONI ART.FM40022-10 | FRONT CALIPER PISTON KIT | 1 | 2003-2007 |
| 9 | 2025000712/5 | VEDI FIG. 8 | SEE REF. NBR. 8 | 1 | 2003-2007 |
| 10 | 2025000712/1 | KIT PASTIGLIE PINZE IDR. ART.FM10003-10 | BRAKE PADS KIT | 1 | 2003-2007 |
| 11 | 2025000712/4 | MOLLA RICHIAMO PASTIGLIE ART.FD-M023-00 | BRAKE PADS SPRING | 1 | 2003-2007 |
| 12 | 2025000712/1 | VEDI FIG. 10 | SEE REF. NBR. 10 | 1 | 2003-2007 |
| 13 | 2025000712/6 | VEDI FIG. 1 | SEE REF NBR. 1 | 1 | 2003-2007 |
| 14 | 2025000722/2 | CORPO SX PINZA POSTERIORE ART.FM-C011-00 | L/S REAR CALIPER BODY | 1 | 2003-2007 |
| 15 | 2025000712/1 | VEDI FIG. 10 | SEE REF. NBR. 10 | 1 | 2003-2007 |

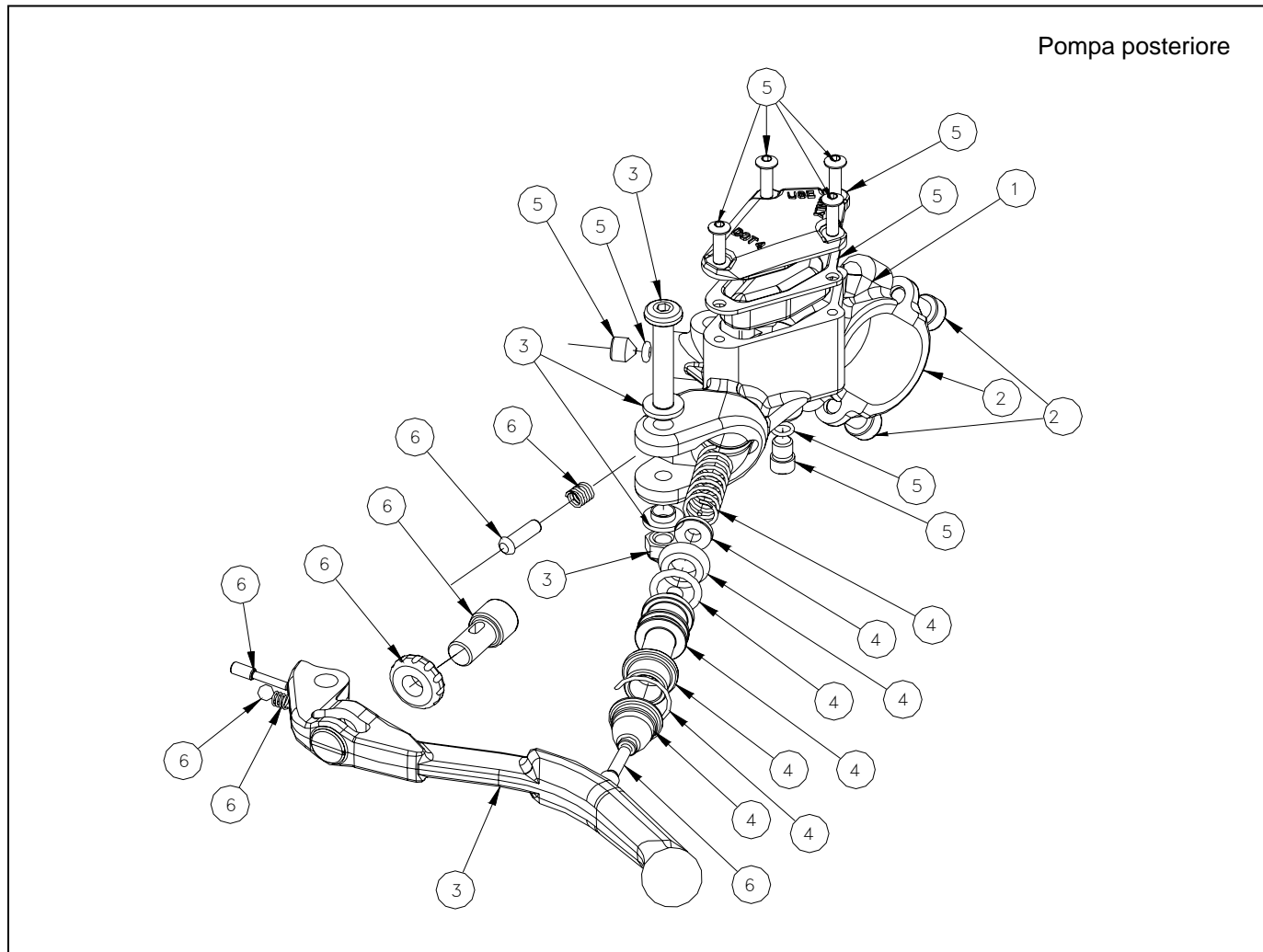


L.E.M. MOTOR S.R.L.
40069 Zola Predosa (Bo) ITALY - Via Gesso, 64/A
Tel. (051) 75.88.61 (2 linee r.a.) - Telefax (051) 75.10.52
www.lem-motor.com - E-mail: info@lem-motor.com

mod. **Impianto frenante**

01/12/2006

| FIGURA REF.NBR. | CODICE CODE | DESCRIZIONE | DESCRIPTION | Q.TÁ Q.TY | ANNO YEAR |
|--------------------|----------------|-------------|----------------|--------------|--------------|
| 16 | 2025000712/6 | VEDI FIG. 1 | SEE REF NBR. 1 | 1 | 2003-2007 |





L.E.M. MOTOR S.R.L.
40069 Zola Predosa (Bo) ITALY - Via Gesso, 64/A
Tel. +39 051 75.88.61 (2 linee r.a.) - Telefax + 39 051 75.10.52
www.lem-motor.com - E-mail: info@lem-motor.com

mod. Impianto frenante

01/12/2006

| FIGURA REF.NBR. | CODICE CODE | DESCRIZIONE | DESCRIPTION | Q.TÁ Q.TY |
|--------------------|----------------|------------------------|--------------------------|--------------|
| 1 | 2046601110/7 | CORPO FRIZIONE Ø13 | HYDRAULIC CLUTC BODY Ø13 | 1 |
| 2 | 2025000711/4 | KIT COLLARINO CON VITI | KIT CLAMP AND SCREWS | 1 |
| 3 | 2025000711/5 | KIT LEVA FRENO | BRAKE LEVER KIT | 1 |
| 4 | 2046601110/8 | KIT PISTONE Ø13 | PISTON KIT Ø13 | 1 |
| 5 | 2025000711/9 | KIT SERBATOIO | RESERVOIR KIT | 1 |
| 6 | 2025000711/6 | KIT REGOLAZIONE LEVA | ADJUSTAMENT LEVER KIT | 1 |