



L.E.M. MOTOR S.R.L.
40069 Zola Predosa (Bo) ITALY - Via Gesso, 64/A
Tel. (051) 75.88.61 (2 linee r.a.) - Telefax (051) 75.10.52
www.lem-motor.com - E-mail: info@lem-motor.com

mod. Impianto frenante

01/12/2006

FIGURA REF.NBR.	CODICE CODE	DESCRIZIONE	DESCRIPTION	Q.TÁ Q.TY	ANNO YEAR
1	2025000712/6	KIT VITI E O-RING ART.FM40021-10	O-RING AND SCREW KIT	1	2003-2007
2	2025000712/6	VEDI FIG. 1	SEE REF NBR. 1	1	2003-2007
3	2025000712/6	VEDI FIG. 1	SEE REF NBR. 1	1	2003-2007
4	2025000712/6	VEDI FIG. 1	SEE REF NBR. 1	1	2003-2007
5	2025000712/2	CORPO SX PINZA ANTERIORE ART.FM-C007-00	L/S FRONT CALIPER BODY	1	2003-2007
6	2025000712/6	VEDI FIG. 1	SEE REF NBR. 1	1	2003-2007
7	2025000712/6	VEDI FIG. 1	SEE REF NBR. 1	1	2003-2007
8	2025000712/5	KIT PISTONI ART.FM40022-10	FRONT CALIPER PISTON KIT	1	2003-2007
9	2025000712/5	VEDI FIG. 8 <i>SEE REF. NBR. 8</i>		1	2003-2007
10	2025000712/1	KIT PASTIGLIE PINZE IDR. ART.FM10003-10	BRAKE PADS KIT	1	2003-2007
11	2025000712/4	MOLLA RICHIAMO PASTIGLIE ART.FD-M023-00	BRAKE PADS SPRING	1	2003-2007
12	2025000712/1	VEDI FIG. 10	SEE REF NBR. 10	1	2003-2007
13	2025000712/3	CORPO DX PINZA ANTERIORE ART.FM-C008-00	R/S FRONT CALIPER BODY	1	2003-2007
14	2025000712/6	VEDI FIG. 1	SEE REF NBR. 1	1	2003-2007
15	2025000712/1	VEDI FIG. 10	SEE REF NBR. 10	1	2003-2007

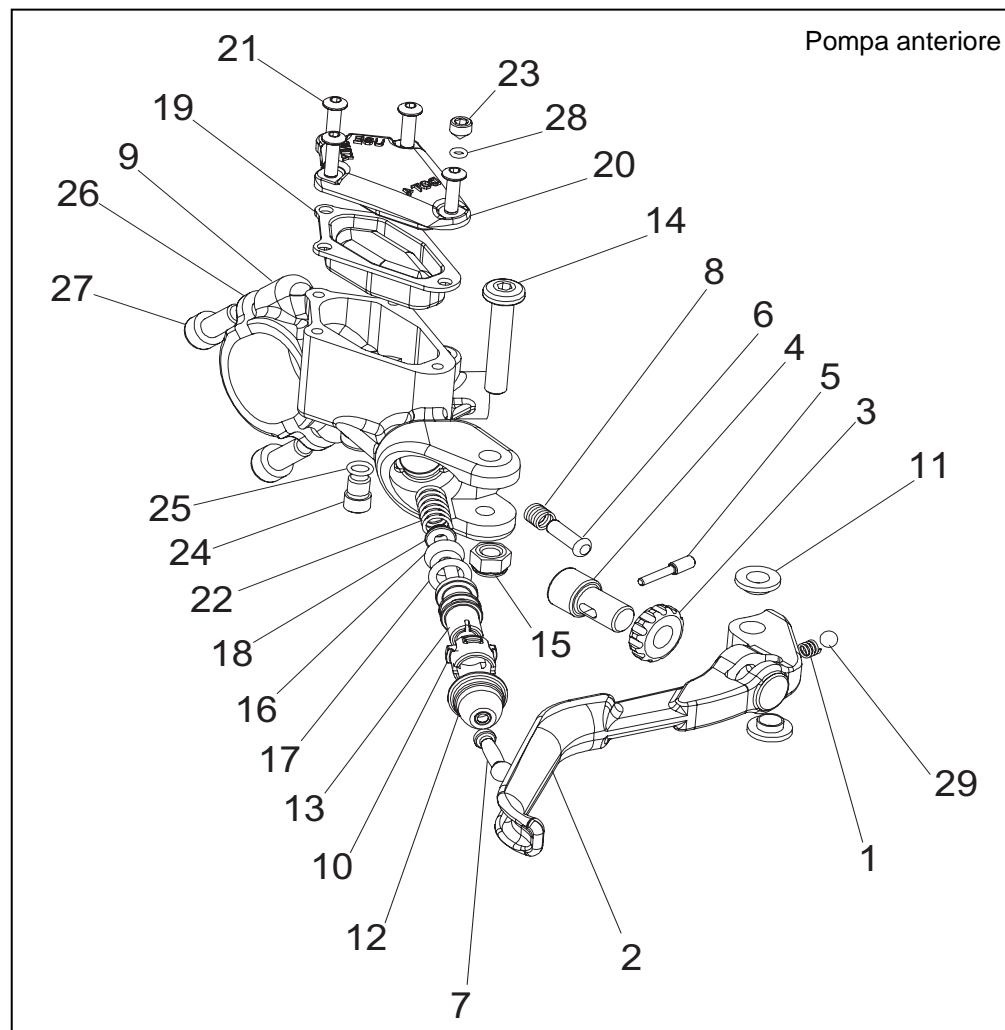


L.E.M. MOTOR S.R.L.
40069 Zola Predosa (Bo) ITALY - Via Gesso, 64/A
Tel. (051) 75.88.61 (2 linee r.a.) - Telefax (051) 75.10.52
www.lem-motor.com - E-mail: info@lem-motor.com

mod. Impianto frenante

01/12/2006

FIGURA REF.NBR.	CODICE CODE	DESCRIZIONE	DESCRIPTION	Q.TÁ Q.TY	ANNO YEAR
16	2025000712/6	VEDI FIG. 1	SEE REF NBR. 1	1	2003-2007





L.E.M. MOTOR S.R.L.
40069 Zola Predosa (Bo) ITALY - Via Gesso, 64/A
Tel. (051) 75.88.61 (2 linee r.a.) - Telefax (051) 75.10.52
www.lem-motor.com - E-mail: info@lem-motor.com

mod. Impianto frenante

01/12/2006

FIGURA REF.NBR.	CODICE CODE	DESCRIZIONE	DESCRIPTION	Q.TÁ Q.TY	ANNO YEAR
1	2025000711/6	KIT REGOLAZ. LEVA FRENO ART.FD40038-20	ADJUSTAMENT LEVER KIT	1	2003-2007
2	2025000711/5	KIT LEVA FRENO POMPA ANT. ART.FM40028-20	BRAKE LEVER KIT	1	2003-2007
3	2025000711/6	VEDI FIG. 1	SEE REF NBR. 1	1	2003-2007
4	2025000711/6	VEDI FIG. 1	SEE REF NBR. 1	1	2003-2007
5	2025000711/6	VEDI FIG. 1	SEE REF NBR. 1	1	2003-2007
6	2025000711/6	VEDI FIG. 1	SEE REF NBR. 1	1	2003-2007
7	2025000711/6	VEDI FIG. 1	SEE REF NBR. 1	1	2003-2007
8	2025000711/6	VEDI FIG. 1	SEE REF NBR. 1	1	2003-2007
9	2045000711/7	CORPO POMPA ANTERIORE ART. FM-C029-00	FRONT MASTER CYLINDER BODY	1	2004-2007
10	2045000711/8	KIT PISTONE POMPA ANT. ART. FM40026-20	FRONT PISTON KIT D.11	1	2004-2007
11	2025000711/5	VEDI FIG. 2	SEE REF. NBR. 2	1	2003-2007
12	2045000711/8	VEDI FIG. 10	SEE REF NBR. 10	1	2004-2007
13	2045000711/8	VEDI FIG. 10	SEE REF NBR. 10	1	2004-2007
14	2025000711/5	VEDI FIG. 2	SEE REF. NBR. 2	1	2003-2007
15	2025000711/5	VEDI FIG. 2	SEE REF. NBR. 2	1	2003-2007

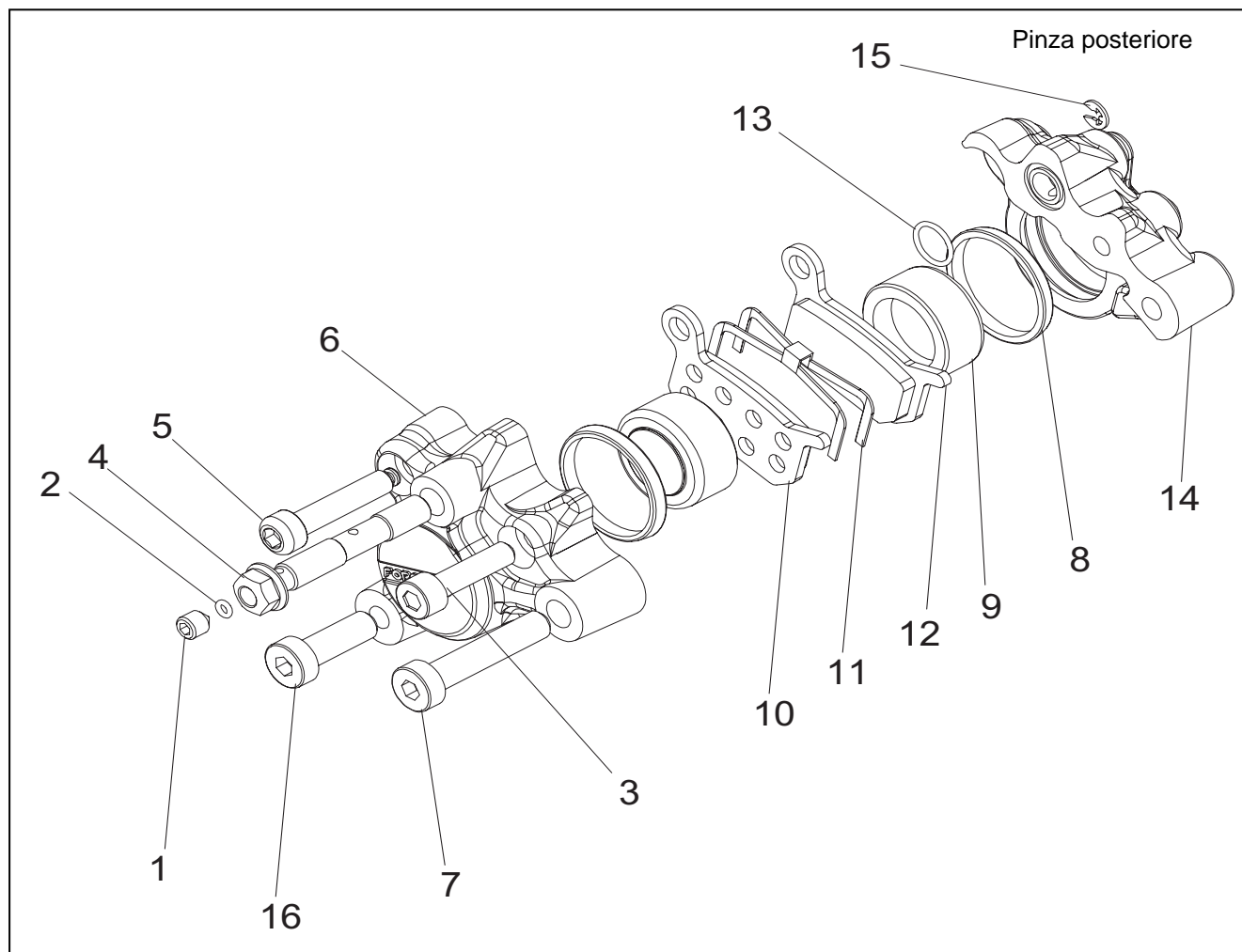


L.E.M. MOTOR S.R.L.
40069 Zola Predosa (Bo) ITALY - Via Gesso, 64/A
Tel. (051) 75.88.61 (2 linee r.a.) - Telefax (051) 75.10.52
www.lem-motor.com - E-mail: info@lem-motor.com

mod. Impianto frenante

01/12/2006

FIGURA REF.NBR.	CODICE CODE	DESCRIZIONE	DESCRIPTION	Q.TÁ Q.TY	ANNO YEAR
16	2045000711/8	VEDI FIG. 10	SEE REF. NBR. 10	1	2004-2007
17	2045000711/8	VEDI FIG. 10	SEE REF. NBR. 10	1	2004-2007
18	2045000711/8	VEDI FIG. 10	SEE REF. NBR. 10	1	2004-2007
19	2025000711/9	KIT SERBATOIO POMPA ANT. ART. FM40039-20	FRONT RESERVIOR KIT	1	2003-2007
20	2025000711/9	VEDI FIG. 19	SEE REF. NBR. 19	1	2003-2007
21	2025000711/9	VEDI FIG. 19	SEE REF. NBR. 19	1	2003-2007
22	2045000711/8	VEDI FIG. 10	SEE REF. NBR. 10	1	2004-2007
23	2025000711/9	VEDI FIG. 19	SEE REF. NBR. 19	1	2003-2007
24	2025000711/9	VEDI FIG. 19	SEE REF. NBR. 19	1	2003-2007
25	2025000711/9	VEDI FIG. 19	SEE REF. NBR. 19	1	2003-2007
26	2025000711/4	KIT COLLARINO CON VITI ART. FM40021-20	CLAMP AND SCREWS	1	2003-2007
27	2025000711/4	VEDI FIG. 26	SEE REF. NBR. 26	1	2003-2007
28	2025000711/9	VEDI FIG. 19	SEE REF. NBR. 19	1	2003-2007
29	2025000711/6	VEDI FIG. 1	SEE REF NBR. 1	1	2003-2007





L.E.M. MOTOR S.R.L.
40069 Zola Predosa (Bo) ITALY - Via Gesso, 64/A
Tel. (051) 75.88.61 (2 linee r.a.) - Telefax (051) 75.10.52
www.lem-motor.com - E-mail: info@lem-motor.com

mod. Impianto frenante

01/12/2006

FIGURA REF.NBR.	CODICE CODE	DESCRIZIONE	DESCRIPTION	Q.TÁ Q.TY	ANNO YEAR
1	2025000712/6	KIT VITI E O-RING ART.FM40021-10	O-RING AND SCREW KIT	1	2003-2007
2	2025000712/6	VEDI FIG. 1	SEE REF NBR. 1	1	2003-2007
3	2025000712/6	VEDI FIG. 1	SEE REF NBR. 1	1	2003-2007
4	2025000712/6	VEDI FIG. 1	SEE REF NBR. 1	1	2003-2007
5	2025000712/6	VEDI FIG. 1	SEE REF NBR. 1	1	2003-2007
6	2025000722/3	CORPO DX PINZA POSTERIORE ART.FM-C010-00	R/S REAR CALIPER BODY	1	2003-2007
7	2025000712/6	VEDI FIG. 1	SEE REF NBR. 1	1	2003-2007
8	2025000712/5	KIT PISTONI ART.FM40022-10	FRONT CALIPER PISTON KIT	1	2003-2007
9	2025000712/5	VEDI FIG. 8	SEE REF. NBR. 8	1	2003-2007
10	2025000712/1	KIT PASTIGLIE PINZE IDR. ART.FM10003-10	BRAKE PADS KIT	1	2003-2007
11	2025000712/4	MOLLA RICHIAMO PASTIGLIE ART.FD-M023-00	BRAKE PADS SPRING	1	2003-2007
12	2025000712/1	VEDI FIG. 10	SEE REF. NBR. 10	1	2003-2007
13	2025000712/6	VEDI FIG. 1	SEE REF NBR. 1	1	2003-2007
14	2025000722/2	CORPO SX PINZA POSTERIORE ART.FM-C011-00	L/S REAR CALIPER BODY	1	2003-2007
15	2025000712/1	VEDI FIG. 10	SEE REF. NBR. 10	1	2003-2007

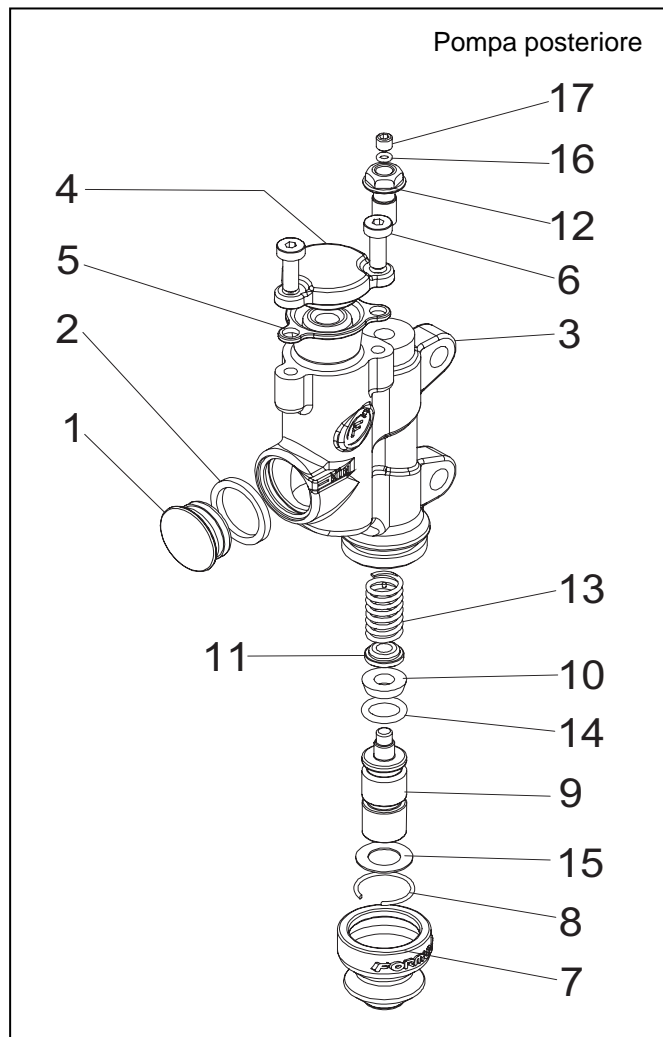


L.E.M. MOTOR S.R.L.
40069 Zola Predosa (Bo) ITALY - Via Gesso, 64/A
Tel. (051) 75.88.61 (2 linee r.a.) - Telefax (051) 75.10.52
www.lem-motor.com - E-mail: info@lem-motor.com

mod. Impianto frenante

01/12/2006

FIGURA REF.NBR.	CODICE CODE	DESCRIZIONE	DESCRIPTION	Q.TÁ Q.TY	ANNO YEAR
16	2025000712/6	VEDI FIG. 1	SEE REF NBR. 1	1	2003-2007





L.E.M. MOTOR S.R.L.
40069 Zola Predosa (Bo) ITALY - Via Gesso, 64/A
Tel. (051) 75.88.61 (2 linee r.a.) - Telefax (051) 75.10.52
www.lem-motor.com - E-mail: info@lem-motor.com

mod. Impianto frenante

01/12/2006

FIGURA REF.NBR.	CODICE CODE	DESCRIZIONE	DESCRIPTION	Q.TÁ Q.TY	ANNO YEAR
1	2025000721/9	KIT SERBATOIO POMPA POST. ART.FM40023-20	REAR RESERVIOR KIT	1	2003-2007
2	2025000721/9	VEDI FIG. 1	SEE REF NBR. 1	1	2003-2007
3	2025000721/7	CORPO POMPA POSTERIORE ART. FD-C009-00	REAR MASTER CYLINDER BODY	1	2003-2007
4	2025000721/9	VEDI FIG. 1	SEE REF NBR. 1	1	2003-2007
5	2025000721/9	VEDI FIG. 1	SEE REF NBR. 1	1	2003-2007
6	2025000721/9	VEDI FIG. 1	SEE REF NBR. 1	1	2003-2007
7	2025000721/8	KIT PISTONE POMPA POST. ART. FM40022-20	REAR PISTON KIT	1	2003-2007
8	2025000721/8	VEDI FIG. 7	SEE REF. NBR. 7	1	2003-2007
9	2025000721/8	VEDI FIG. 7	SEE REF. NBR. 7	1	2003-2007
10	2025000721/8	VEDI FIG. 7	SEE REF. NBR. 7	1	2003-2007
11	2025000721/8	VEDI FIG. 7	SEE REF. NBR. 7	1	2003-2007
12	2025000721/4	KIT VITE FISSAGGIO TUBO ART. FD40016-20	FITTING SCREWS TUBE KIT	1	2003-2007
13	2025000721/8	VEDI FIG. 7	SEE REF. NBR. 7	1	2003-2007
14	2025000721/8	VEDI FIG. 7	SEE REF. NBR. 7	1	2003-2007
15	2025000721/8	VEDI FIG. 7	SEE REF. NBR. 7	1	2003-2007



L.E.M. MOTOR S.R.L.
40069 Zola Predosa (Bo) ITALY - Via Gesso, 64/A
Tel. (051) 75.88.61 (2 linee r.a.) - Telefax (051) 75.10.52
www.lem-motor.com - E-mail: info@lem-motor.com

mod. Impianto frenante

01/12/2006

FIGURA REF.NBR.	CODICE CODE	DESCRIZIONE	DESCRIPTION	Q.TÁ Q.TY	ANNO YEAR
16	2025000721/4	VEDI FIG. 12	SEE REF. NBR. 12	1	2003-2007
17	2025000721/4	VEDI FIG. 12	SEE REF. NBR. 12	1	2003-2007